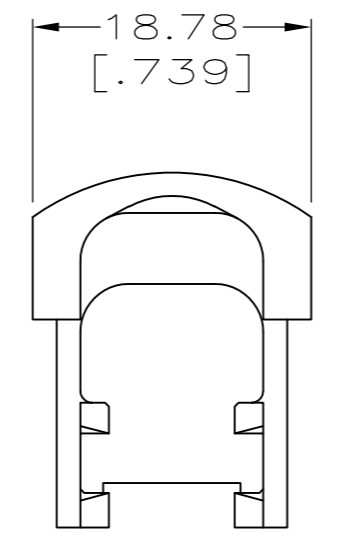
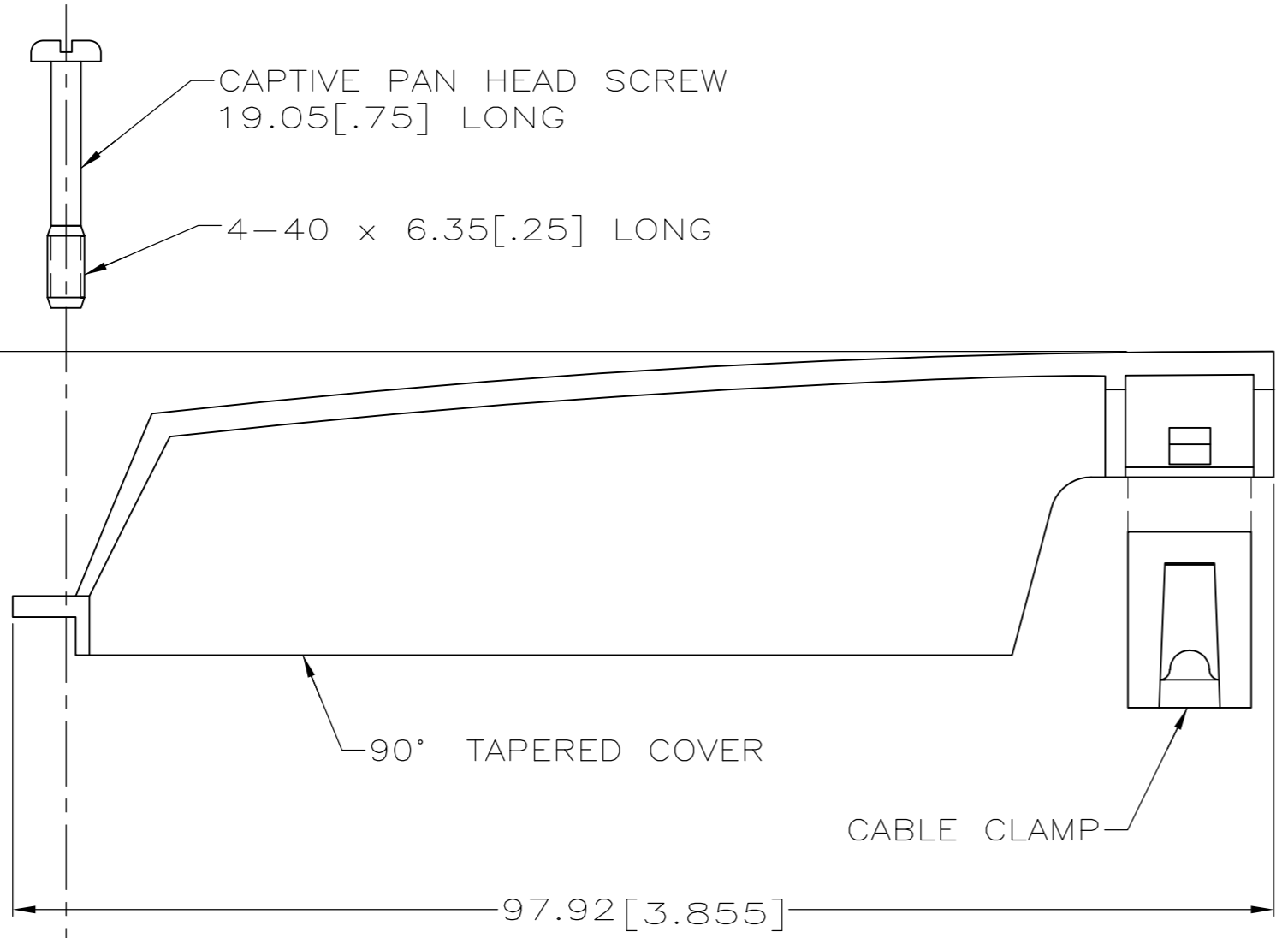
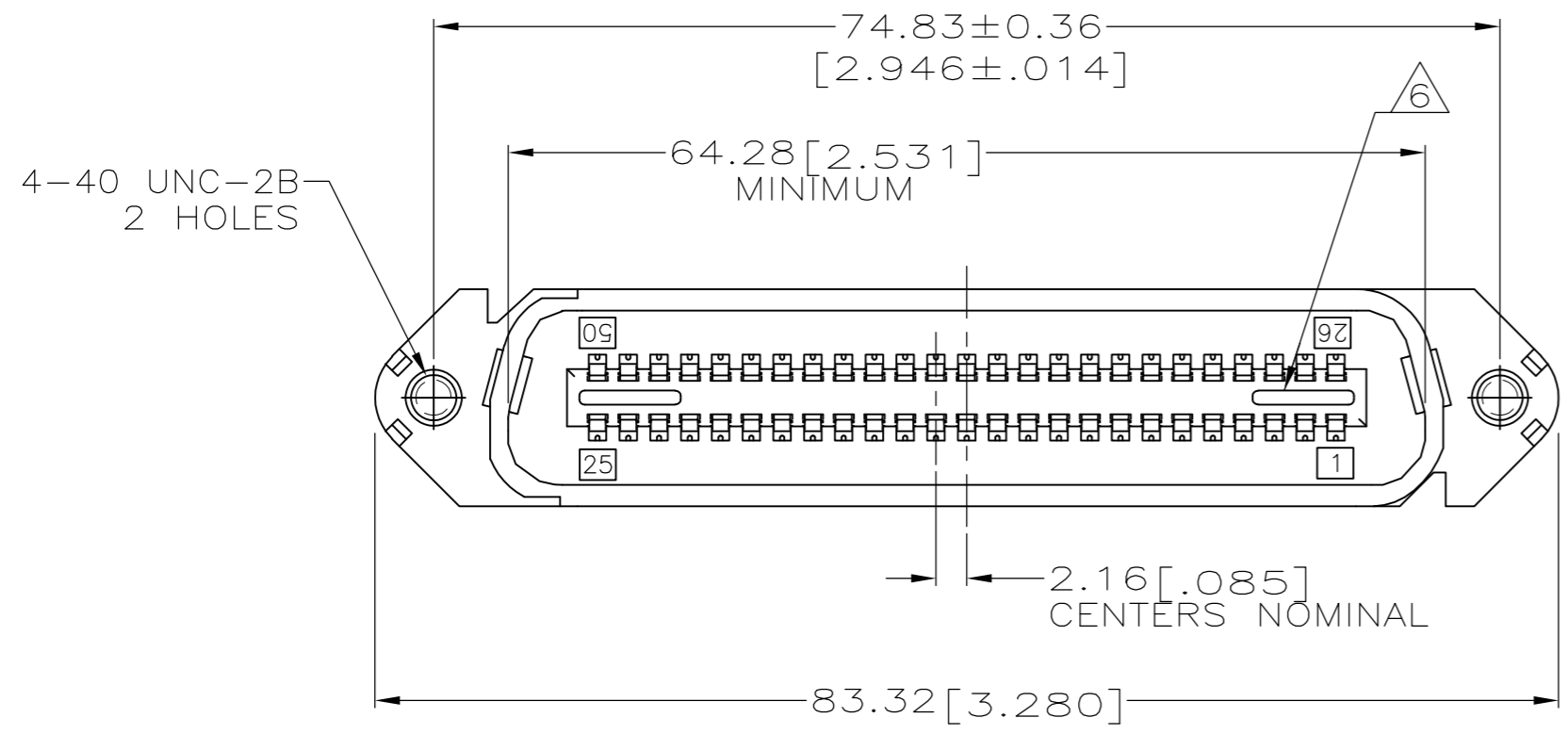
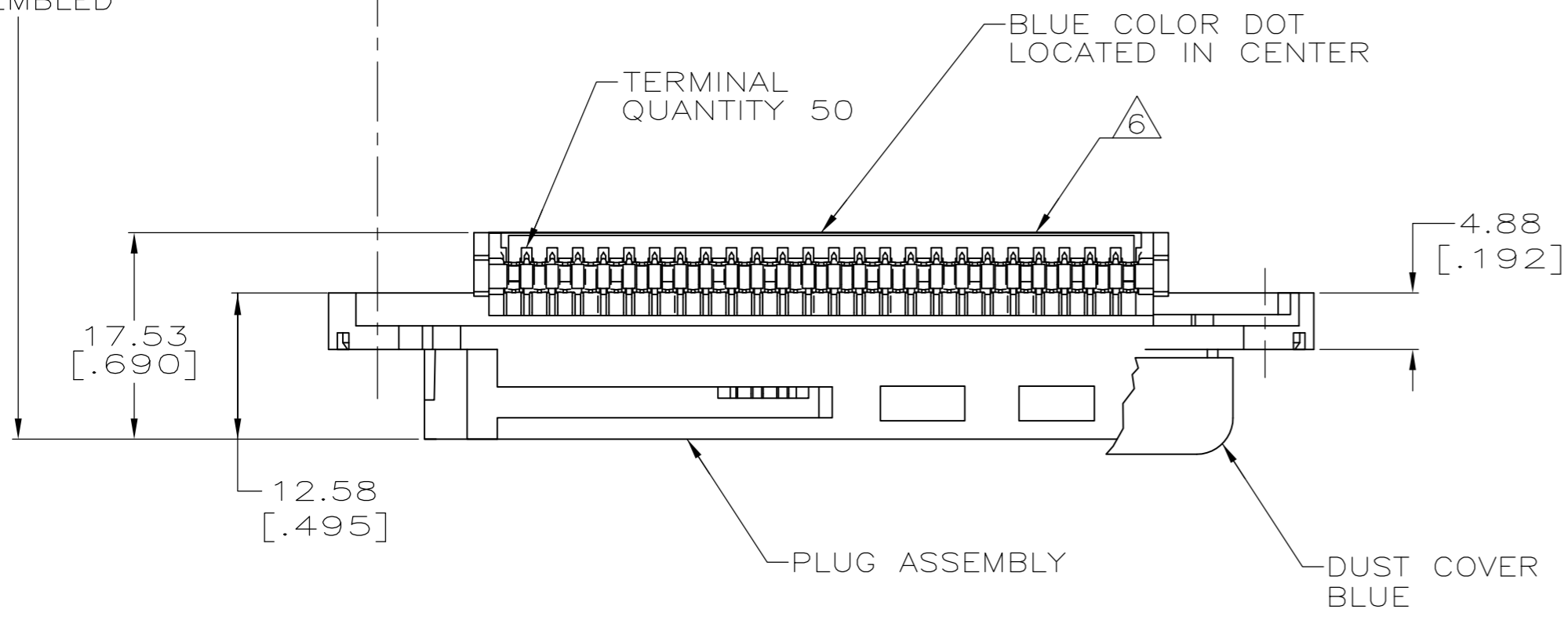


THIS DRAWING IS UNPUBLISHED. RELEASED FOR PUBLICATION  
 © COPYRIGHT BY TYCO ELECTRONICS CORPORATION. ALL RIGHTS RESERVED.

LOC	DIST	REVISIONS					
GP	00	P	LTR	DESCRIPTION	DATE	DWN	APVD
		B		REVISED PER ECO-08-007327	05SEP08	BM	WM



- THE CONTACT SURFACES OF THE TERMINALS ARE COATED WITH LUBRICANT.
- DIMENSIONS ARE MAXIMUM UNLESS OTHERWISE SPECIFIED.
- MATERIAL: HOUSING AND COVER - POLYPHENYLENE OXIDE.  
 CABLE CLAMP - POLYESTER MOLDING COMPOUND.  
 TERMINAL - HIGH STRENGTH COPPER ALLOY PLATED WITH 0.76µm [.000030] MIN GOLD OR GOLD FLASH OVER PALLADIUM NICKEL PLATE, 0.76µm [.000030] MIN TOTAL ON MATING SURFACE, OVER 1.27µm [.000050] MIN NICKEL UNDERPLATE.  
 HARDWARE - ZINC PLATED STEEL.  
 DUST COVER - POLYETHYLENE MOLDING COMPOUND.
- THIS KIT SHIPPED NOT ASSEMBLED.
- WIRE SIZE: 24 & 26 AWG SOLID & 24/7 STRAND COPPER CONDUCTORS. MAXIMUM INSULATION DIAMETER OF 1.14 [.045] IS ACCEPTABLE FOR MOST APPLICATIONS.
- CORING MAY OR MAY NOT APPEAR AND IS AT THE DISCRETION OF AMP INCORPORATED.



PACKAGING	CABLE RANGE	DUST COVER	COLOR	PART NUMBER
BULK PACKED	ø7.62-8.26 [ø.300-.325]	YES	BLACK	6-5229912-7
	ø8.89-10.80 [ø.350-.425]	YES	GRAY	6-5229912-4
		NO	BLACK	6-5229912-3
POLY BAGGED	ø10.80-12.70 [ø.425-.500]	YES	BLACK	3-5229912-1
		NO	BLACK	2-5229912-1
	ø8.89-10.80 [ø.350-.425]	YES	BLACK	1-5229912-1
		NO	GRAY	5229912-4
		NO	BLACK	5229912-1

THIS DRAWING IS A CONTROLLED DOCUMENT.

DIMENSIONS: mm [INCHES]	TOLERANCES UNLESS OTHERWISE SPECIFIED:	DWN G.PETERS 23SEP2005	Tyco Electronics Corporation Harrisburg, PA 17105-3608
0 PLC ± -	1 PLC ± -	CHK W.MILLHIMES 23SEP05	
	2 PLC ± -	APVD M.WALMSLEY 23SEP05	NAME
	3 PLC ± -	PRODUCT SPEC	PLUG KIT, 50 POSITION, B-SLOT SCREW LOCK WITH TAPERED COVER, CHAMP-LOK
MATERIAL	FINISH	APPLICATION SPEC	SIZE CAGE CODE DRAWING NO RESTRICTED TO
		WEIGHT	A2 00779 C=5229912
		CUSTOMER DRAWING	SCALE 2:1 SHEET 1 of 1 REV B